

SWTB-T2001-Poles, Terminal, 2.0mm pitch

Features

Mechanical Properties

Parameter:	Description
Connector Type:	DIP, single row
Orientation:	Vertical
Dimensions:	See dimensions
Operating Temperature Range:	-25°C~+85°C
Pitch:	2.0 mm
Poles:	2-16 Poles
Wire Thickness:	24 ~ 28 AWG
Material:	Phosphor Bronze
Finish:	Tin-plated over Nickel



Typical applications

- Wire to Board
- Board to Wire

Electrical Properties

Parameter:	Description
Rated Voltage:	100V AC / DC
Rated Current:	2A AC / DC
Contact Resistance:	20mΩ Max.
Insulation Resistance:	1000MΩ Min.
Withstanding Voltage	800V AC / 1Min.

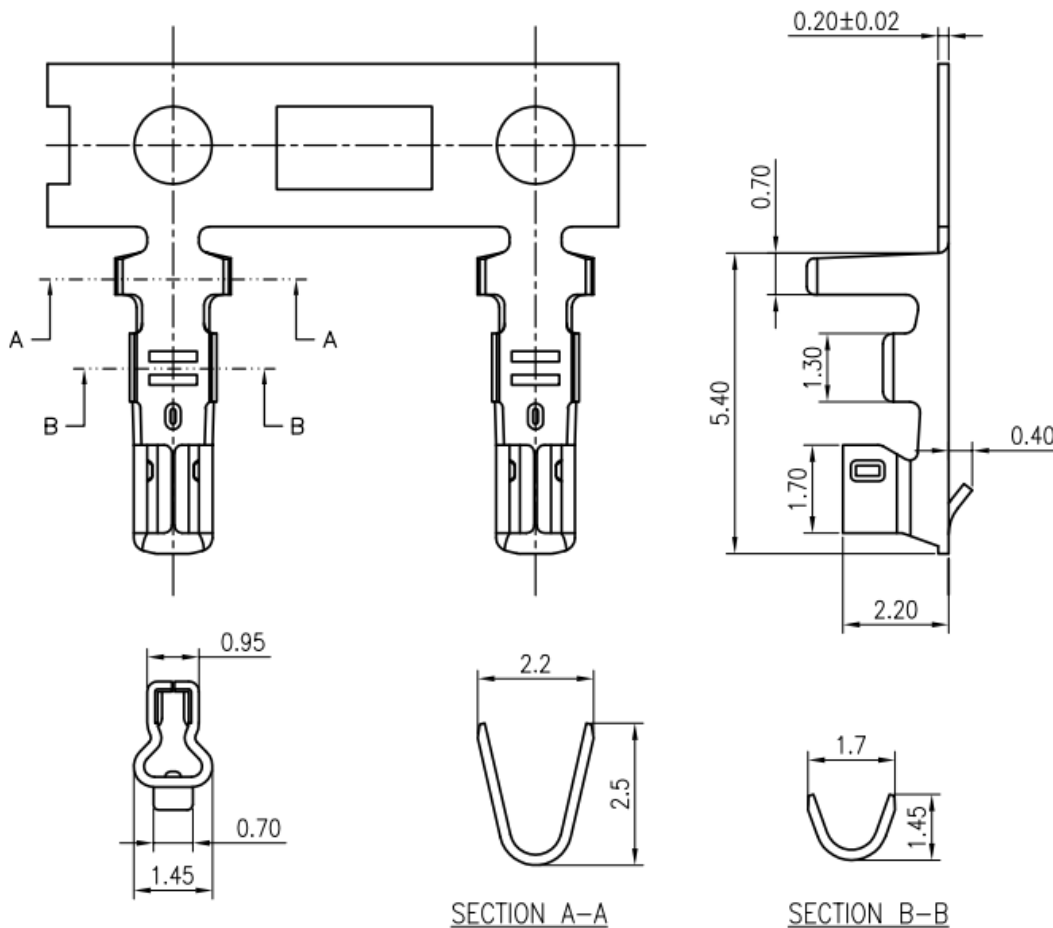
Description

The SWTB-T2001-Poles is a Terminal for the SWTB-H2001 plug with 2.0 mm pitch. The terminal is available up to 16 poles.

SWTB-T2001-Poles, Terminal, 2.0mm pitch

Dimensions

*unit: mm



Ordering information

Ordering can be done via www.summit-electronics.com or via info@summit-electronics.com. Please contact us for more information. Customisation of the product is available on request.

Technical support

For all product questions please contact us via info@summit-electronics.com